


# GLADH Heavy Duty Lift Assist Damper

Top opening · Heavy duty

Opening Direction	Item Name	Description	Non-handed	Maximum Door Moment
 Top-opening	GLADH-35	Lift-assist	Yes	25~35 N · m/pc (255~357 kgf · cm/pc)
	GLADH-50	Soft-close		35~50 N · m/pc (357~510 kgf · cm/pc)

### Features

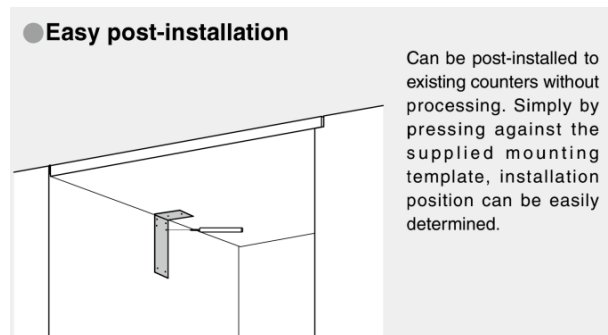
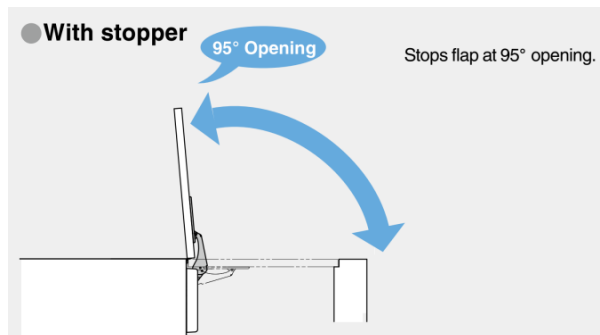
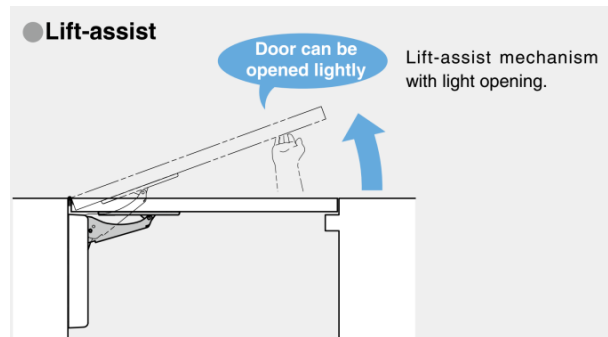
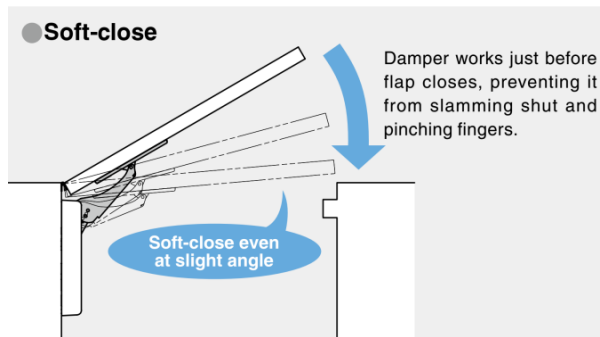
- Ideal for counter top-opening flaps
- Smooth and soft close movement at the end, preventing flaps from slamming shut. Damper works even at a slight opening angle
- Suitable for door moment 25 ~ 50 N.m
- Lift-assist mechanism with light opening
- Stops flap at 95° opening with stopper
- Can be installed to existing counters without processing
- Installation position can be easily determined with the supplied template
- Passed 100,000 life cycle test

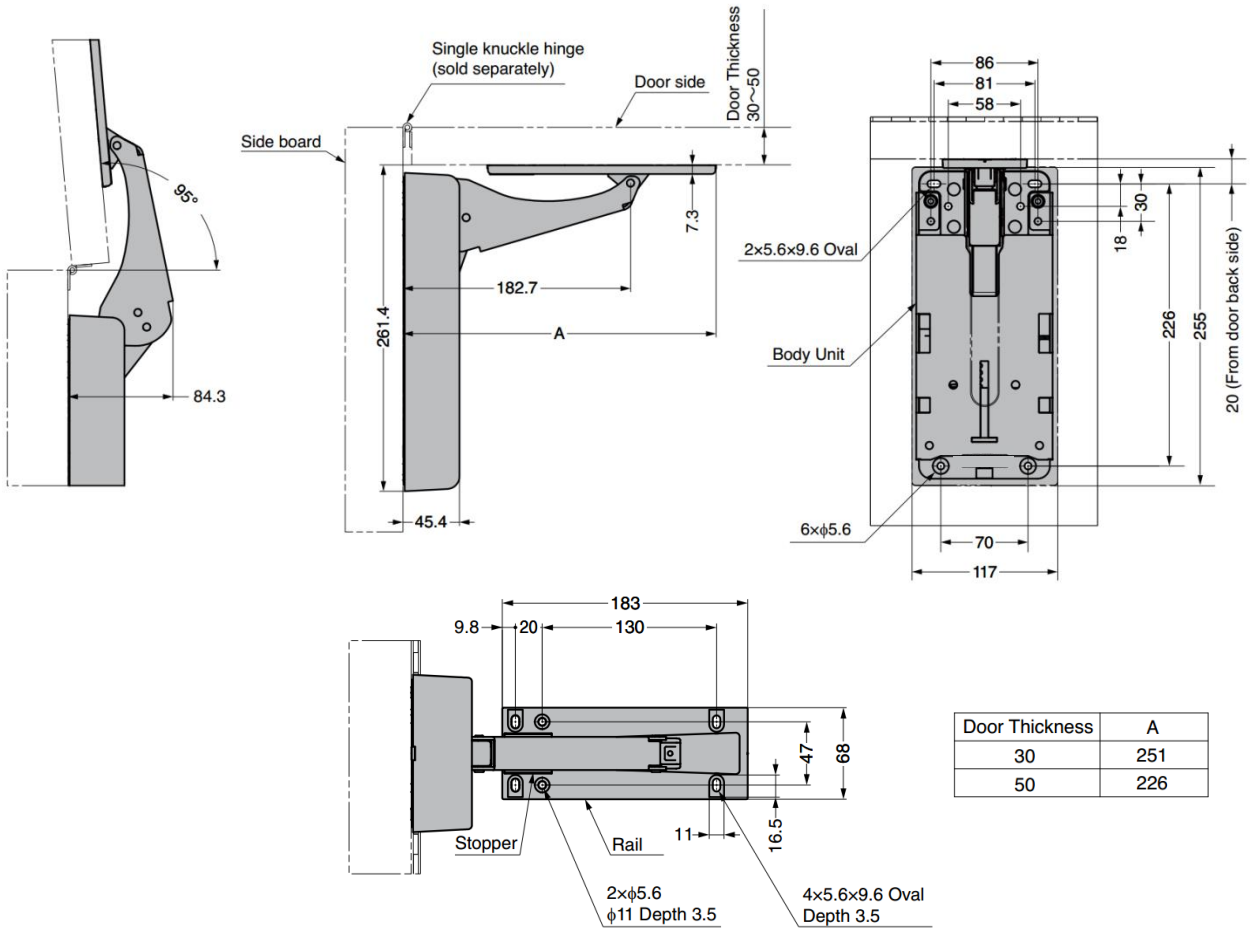
### Notes

- Simply holds rather than fixes flap in opened position
- Ensure sufficient hinge strength and installation strength at damper mounting surface and door hanging side
- Do not use concealed hinge
- Closed flap cannot be held with only this product, please install a catch at the front end of flap

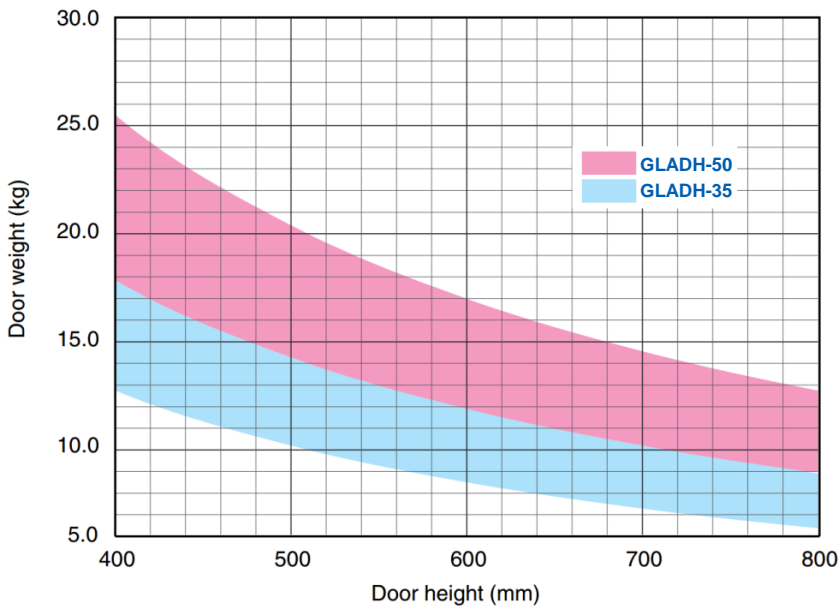
### Parts Included

- Binding head tapping screw 5.1×25
- Paper template





### Door Size Ranges



Refer to the left graph as a guide for model selection

When using a door with size not given here, calculate the door moment as follows.

Door weight includes any attached accessories.

**Maximum Door Moment (N.m):**  
= Door weight (kg) × 9.80665 × Distance from rotation centre to door centre of gravity (m)

Part No.	Material	Finish	Recommended Thickness	Maximum Door Moment (per piece)	
GLADH-35	Steel (SPCC)/Polyacetal (POM)/ABS	Nickel Plating/Nickel Chrome/Dark Brown	30 ~ 50	25 ~ 35 N.m	255 ~ 357 kgf.cm
GLADH-50				35 ~ 50 N.m	357 ~ 510 kgf.cm